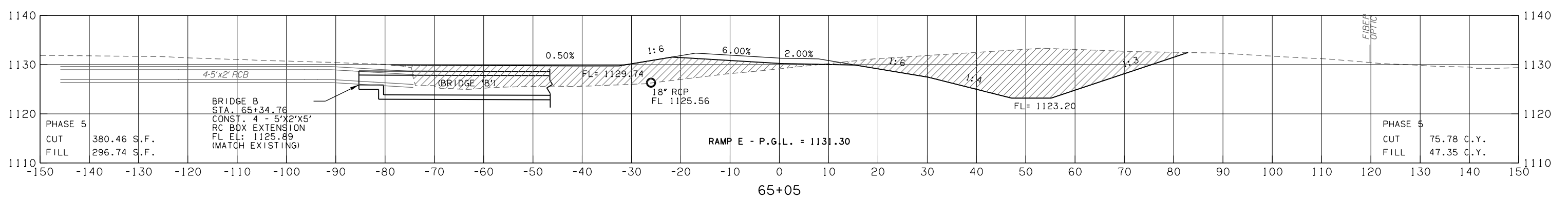
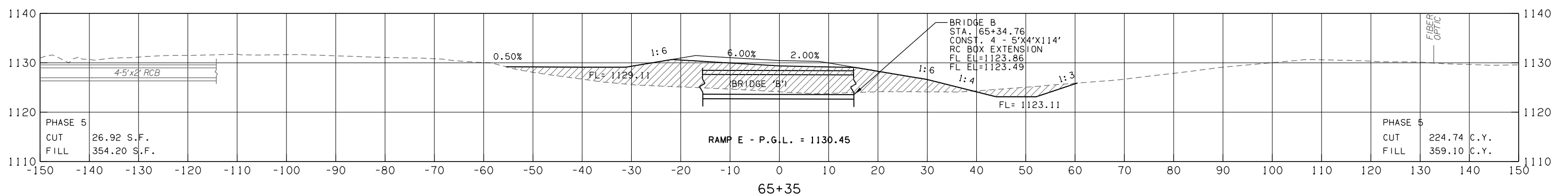
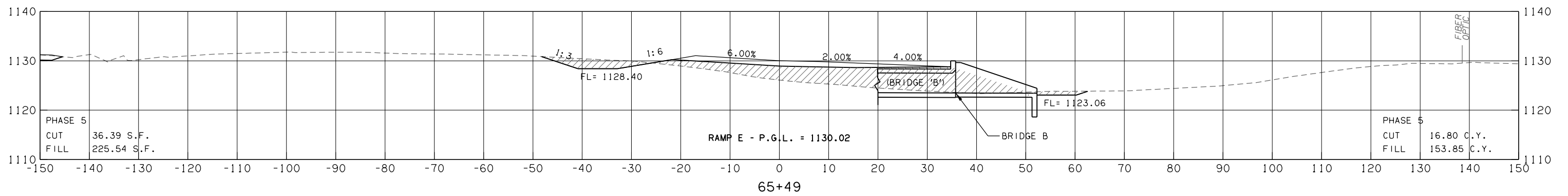
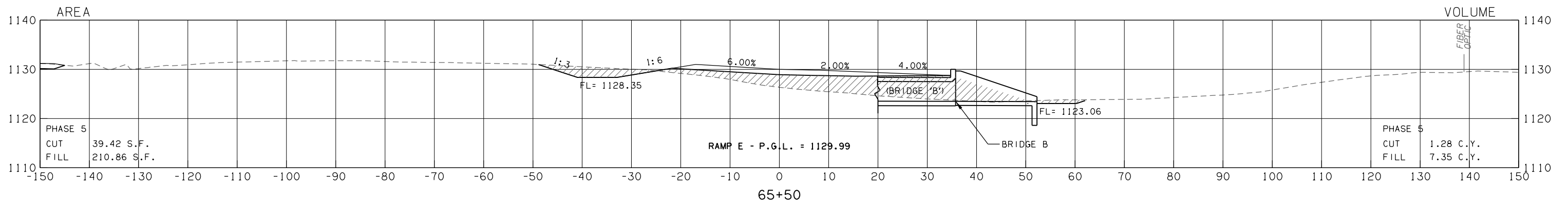


LEGEND	
	EXISTING GROUND
	TEMPORARY WIDENING
	PROPOSED SURFACE
	PHASE 5

OKLAHOMA DEPARTMENT OF TRANSPORTATION						
FED. ROAD DIST. NO.	STATE	JOB PIECE NO.	FISCAL YEAR	SHEET NO.	TOTAL SHEETS	
6	OKLA.	27050(04)	2017			
DESCRIPTION		REVISIONS		DATE		



RAMP E
STATE JOB NO. 27050(04) SHEET NO. x46